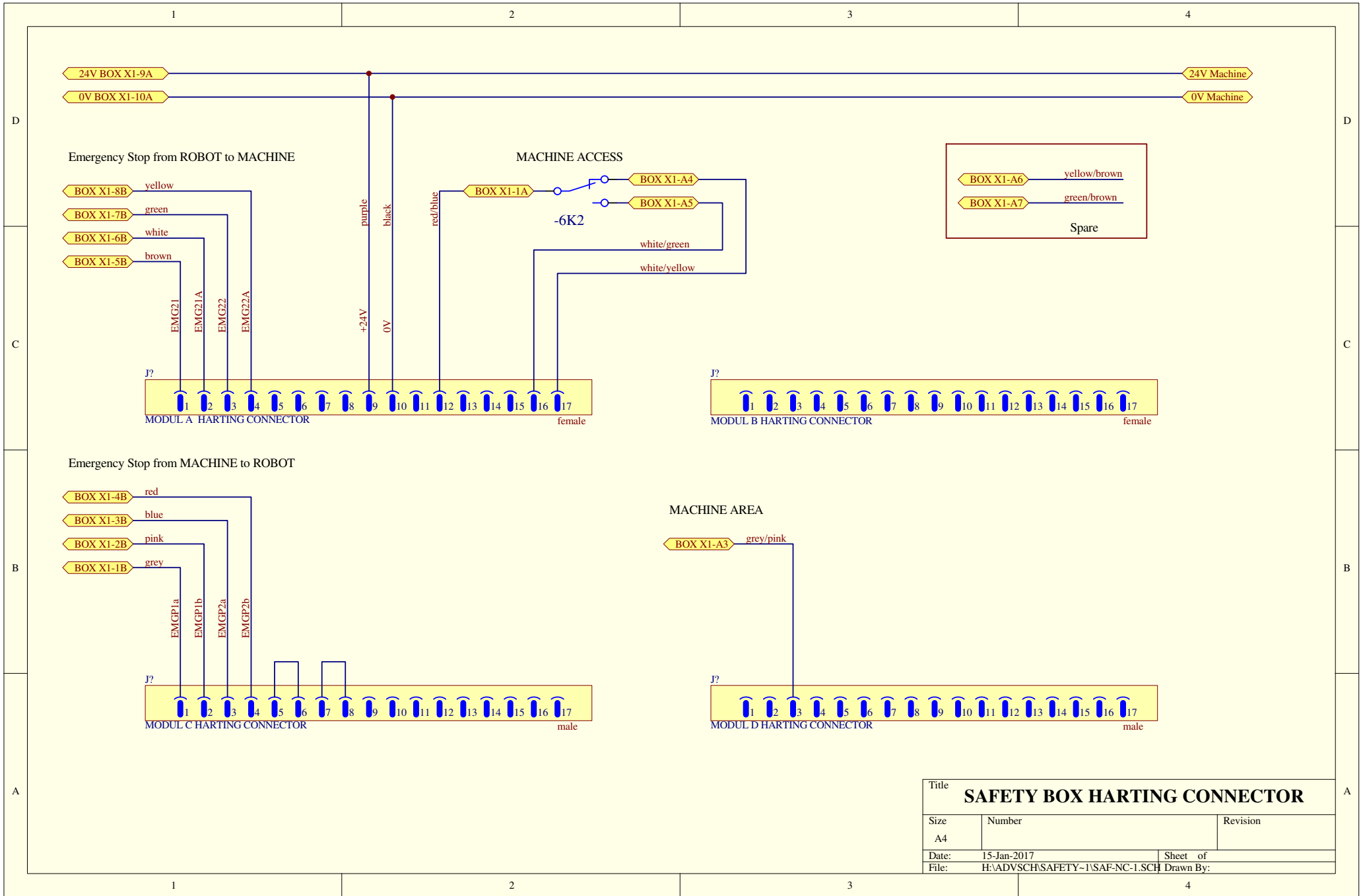


Title		
SAFETY BOX NC CENTRAL UNIT		
Size	Number	Revision
A4		
Date:	15-Jan-2017	Sheet of
File:	H:\ADV\SCH\SAFETY-1\SAF-NC-2.SCH	Drawn By:



Title		
SAFETY BOX HARTING CONNECTOR		
Size	Number	Revision
A4		
Date:	15-Jan-2017	Sheet of
File:	H:\ADV\SCH\SAFETY~1\SAF-NC-1.SCH Drawn By:	